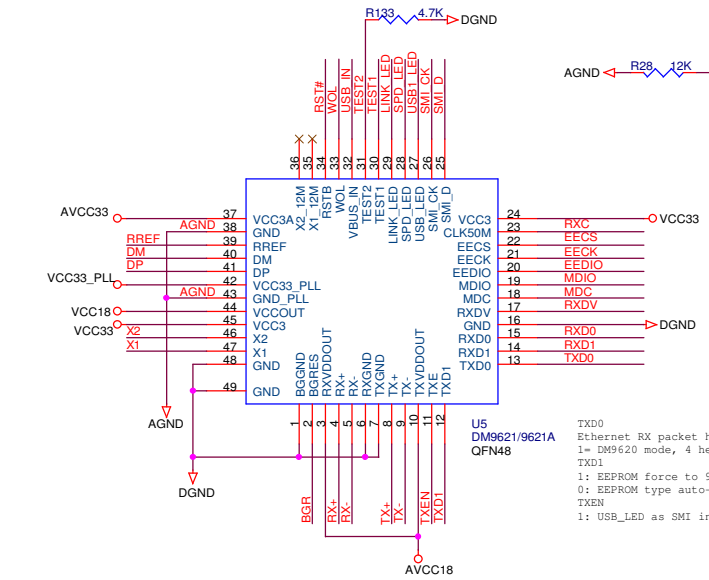
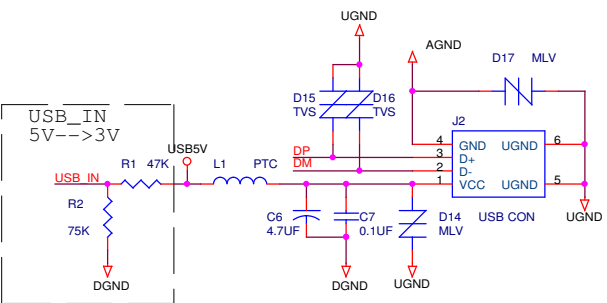
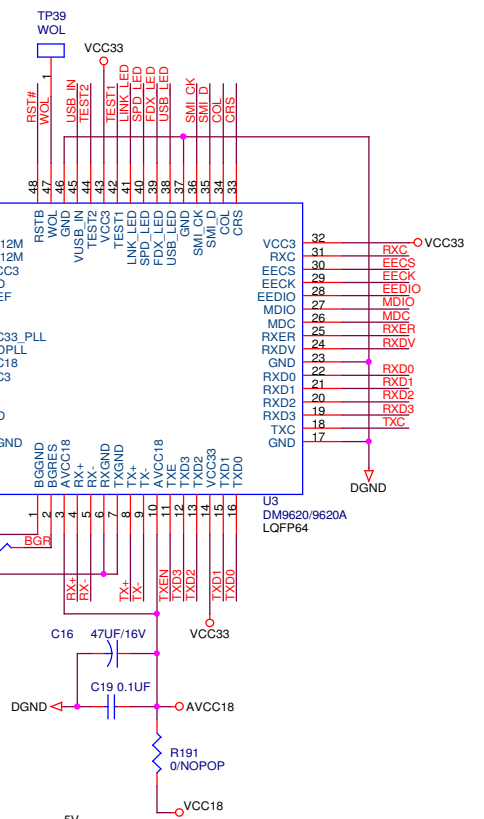
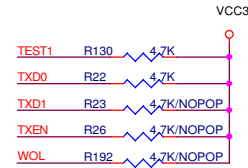
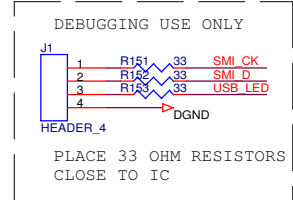
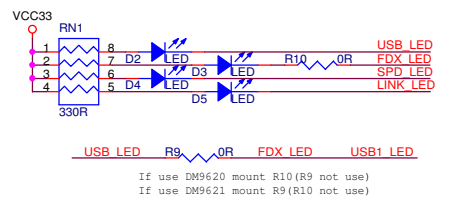
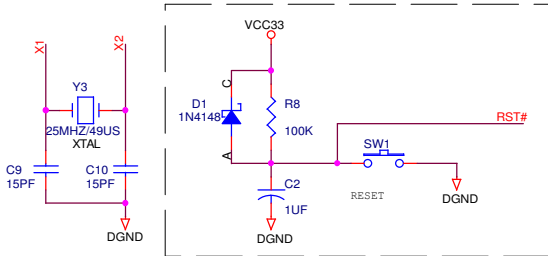
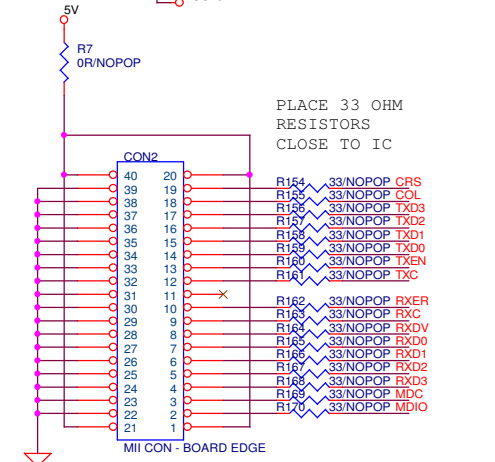
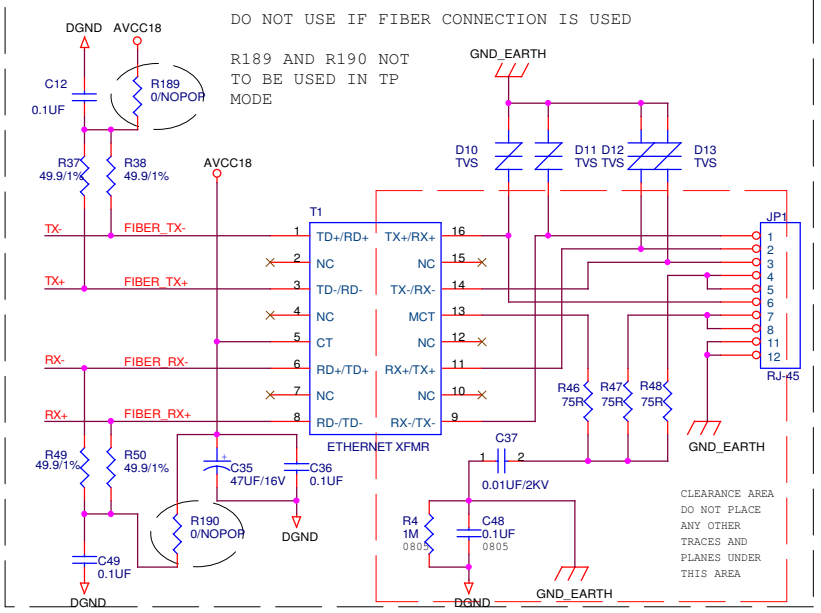
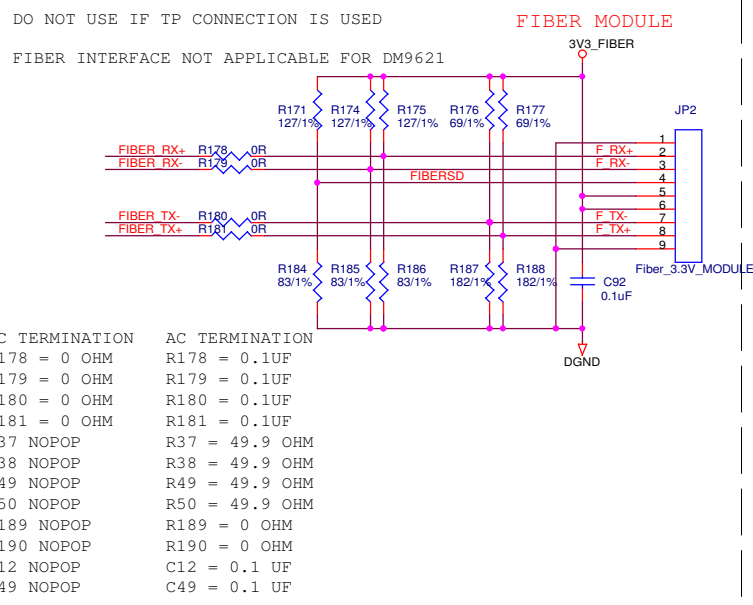
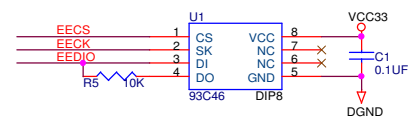


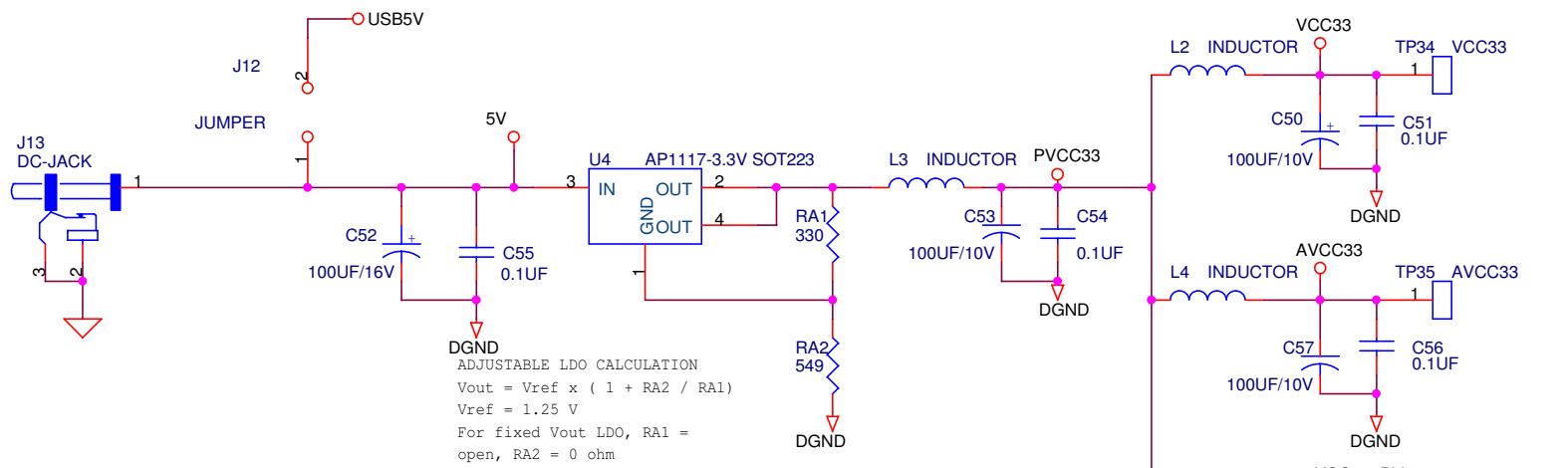
DAVICOM Semiconductor, Inc.		
Title		
USB2.0 TO ETHERNET		
Size	Document Number	Rev
A4	BLOCK	1.31
Date:	Tuesday, September 11, 2012	Sheet 1 of 4



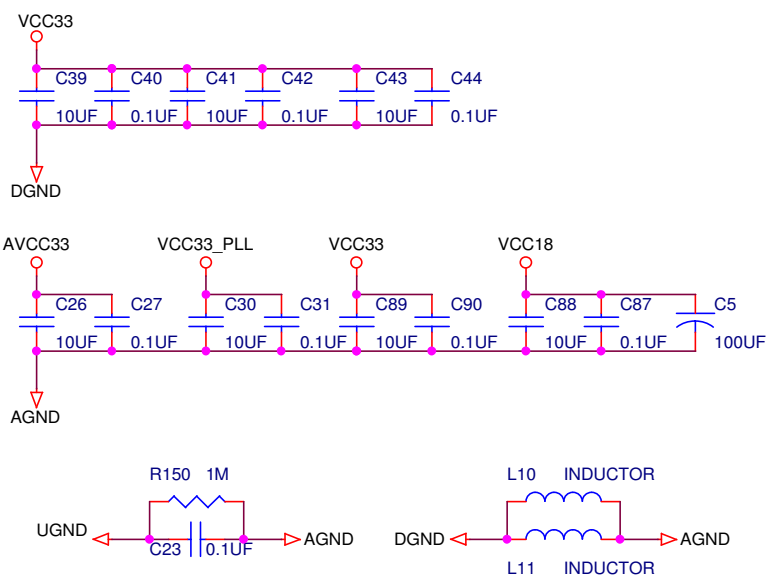
TXD0 Ethernet RX packet header format
 1- DM9620 mode, 4 header bytes include flag byte
 TXD1
 1: EEPROM force to 93C46 type
 0: EEPROM type auto-detection
 TXEN
 1: USB_LED as SMI interrupt



DAVICOM Semiconductor, Inc.		
Title: USB2.0 TO ETHERNET		
Size: A3	Document Number: DM9620 MAIN CHIP	Rev: 1.31
Date: Tuesday, September 11, 2012	Sheet: 2	of 4



ADJUSTABLE LDO CALCULATION
 $V_{out} = V_{ref} \times (1 + \frac{RA2}{RA1})$
 $V_{ref} = 1.25\text{ V}$
 For fixed V_{out} LDO, $RA1 =$
 open, $RA2 = 0\text{ ohm}$



DAVICOM Semiconductor, Inc.		
Title USB2.0 TO ETHERNET		
Size A4	Document Number POWER	Rev 1.31
Date: Tuesday, September 11, 2012	Sheet 3	of 4

VER	DATE	ENGINEER	NOTE
1.0	04/28/2009	MARCO FAN	NEW CIRCUIT DM9620+DM9621
1.01	04/28/2009	WILLIE NIOU	6.8K to 6.98K UPDATE
1.1	10/22/2010	MARCO FAN	1. USB5V_IN: C6 DIP 100UF--->SMD 4.7UF 2. RESET RC: SMD 10K --->1K, DIP 10UF--->SMD 4.7UF 3. AVCC18:C16 DIP 100UF--->47UF 4. DM9620 PIN 1,6,7,62,64 CONN DGND--->AGND 5. USB CONN PART OF 5V--->4V, DGND--->AGND
1.2	03/11/2011	WILLIE NIOU	1. ADD FIBER CIRCIT 2. ADD FIBER MODULE VOLTAGE FILTER
1.3	03/16/2012	WILLIE NIOU	1. DO NOT USE MDIX WHEN IN FIBER MODE PHY REG[0X00]=0X2100 PHY REG[0X10]=0X4014 PHY REG[0X14]=0X0010 2. WOL ADD PULL-UP SELECTION FOR DM9621A/20A
1.31	09/11/2012	WILLIE NIOU	R8 CHANGE FROM 4.7K TO 100K

DAVICOM Semiconductor, Inc.		
Title USB2.0 TO ETHERNET		
Size A4	Document Number HISTORY	Rev 1.31
Date: Tuesday, September 11, 2012	Sheet 4	of 4