

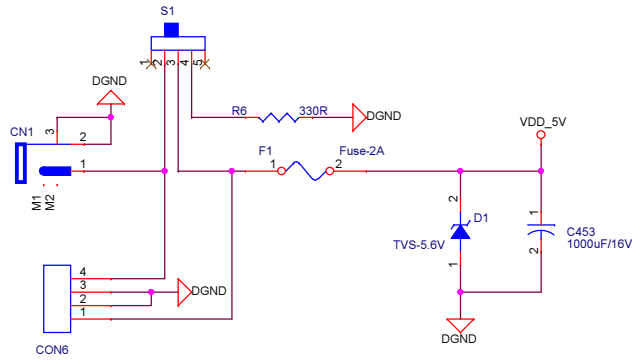
# Tiny4412/Super4412SDK 1506

FriendlyARM <http://www.arm9.net>

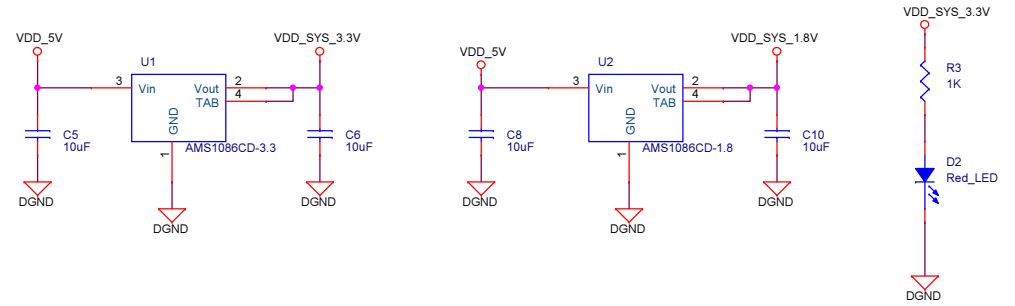
Title		
Size	Document Number	Rev
A3	Title	1312
Date:	Monday, July 13, 2015	Sheet 1 of 12



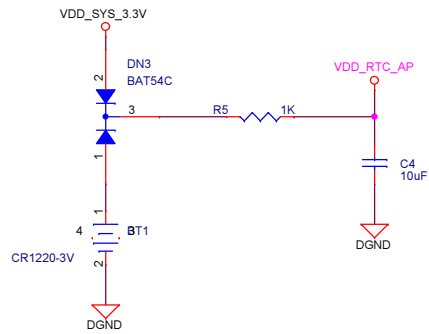
### DC-5V External Power Supply 4.7V~5.6V 2A



### System 3.3V and 1,8V

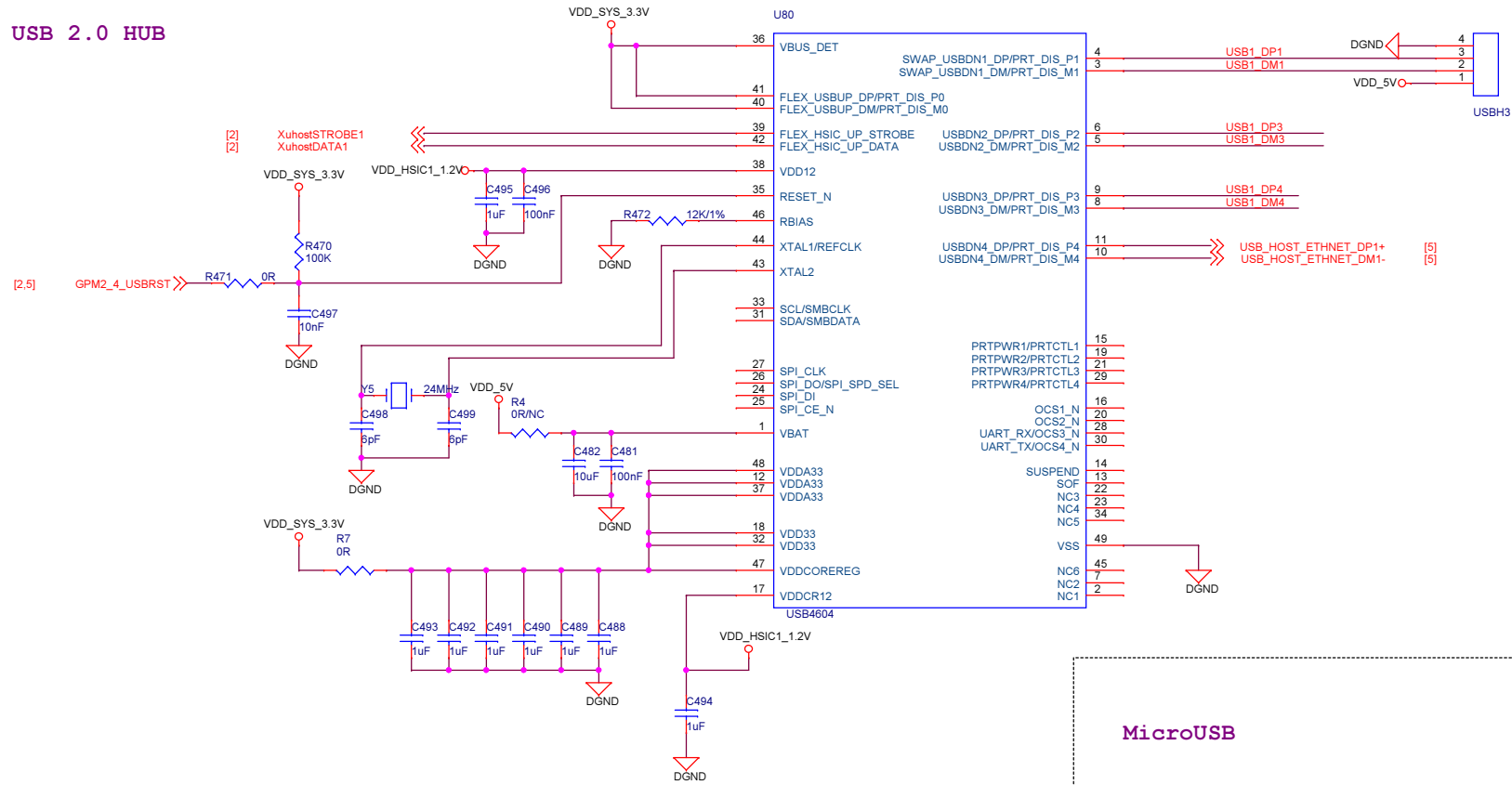


### RTC Battery

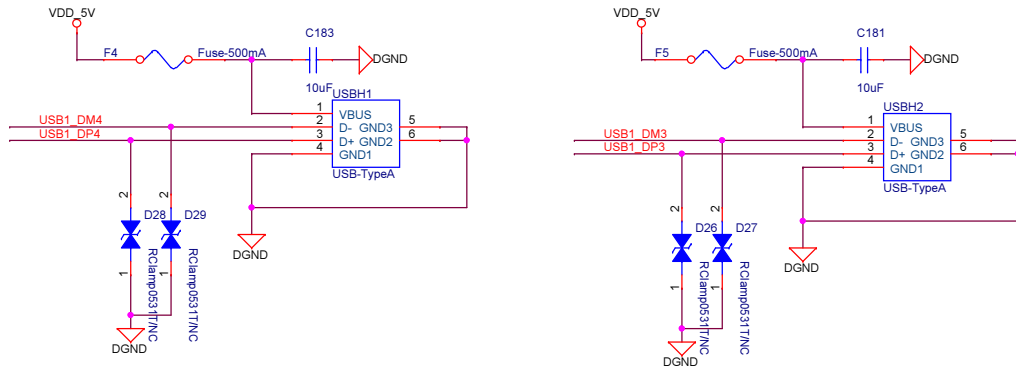
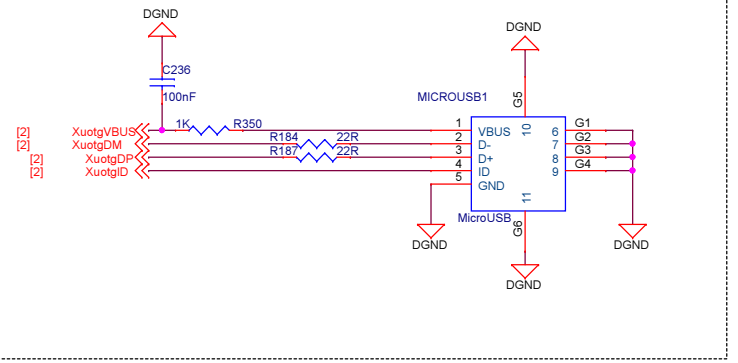


1312		
Title		
Size A3	Document Number	Rev
Date:	Monday, July 13, 2015	Sheet 3 of 12

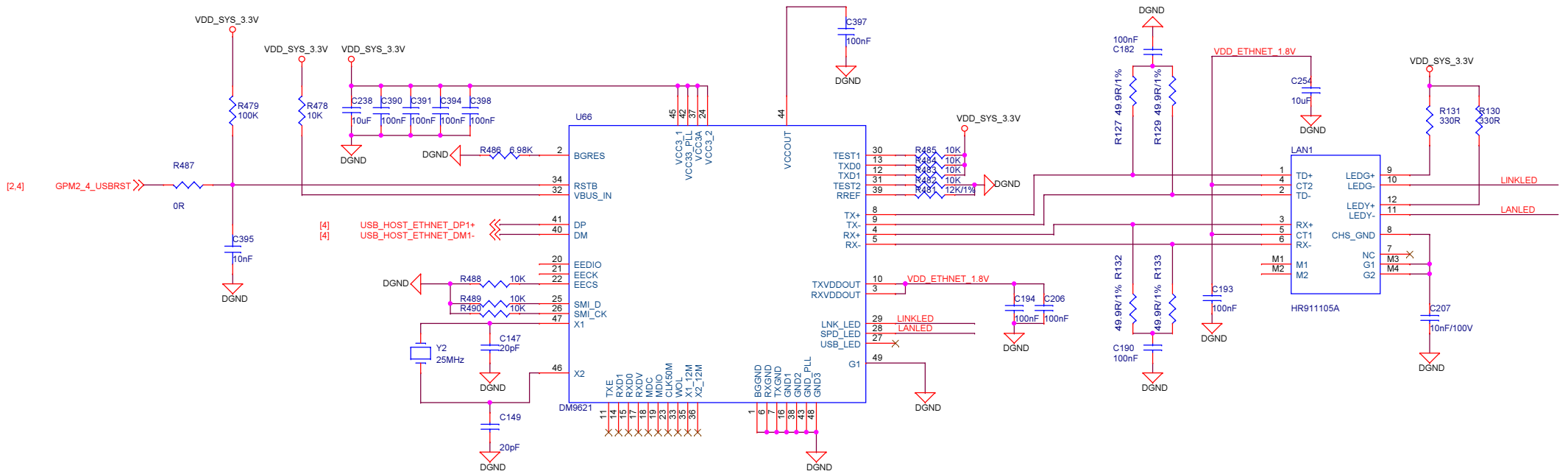
# USB 2.0 HUB



# MicroUSB

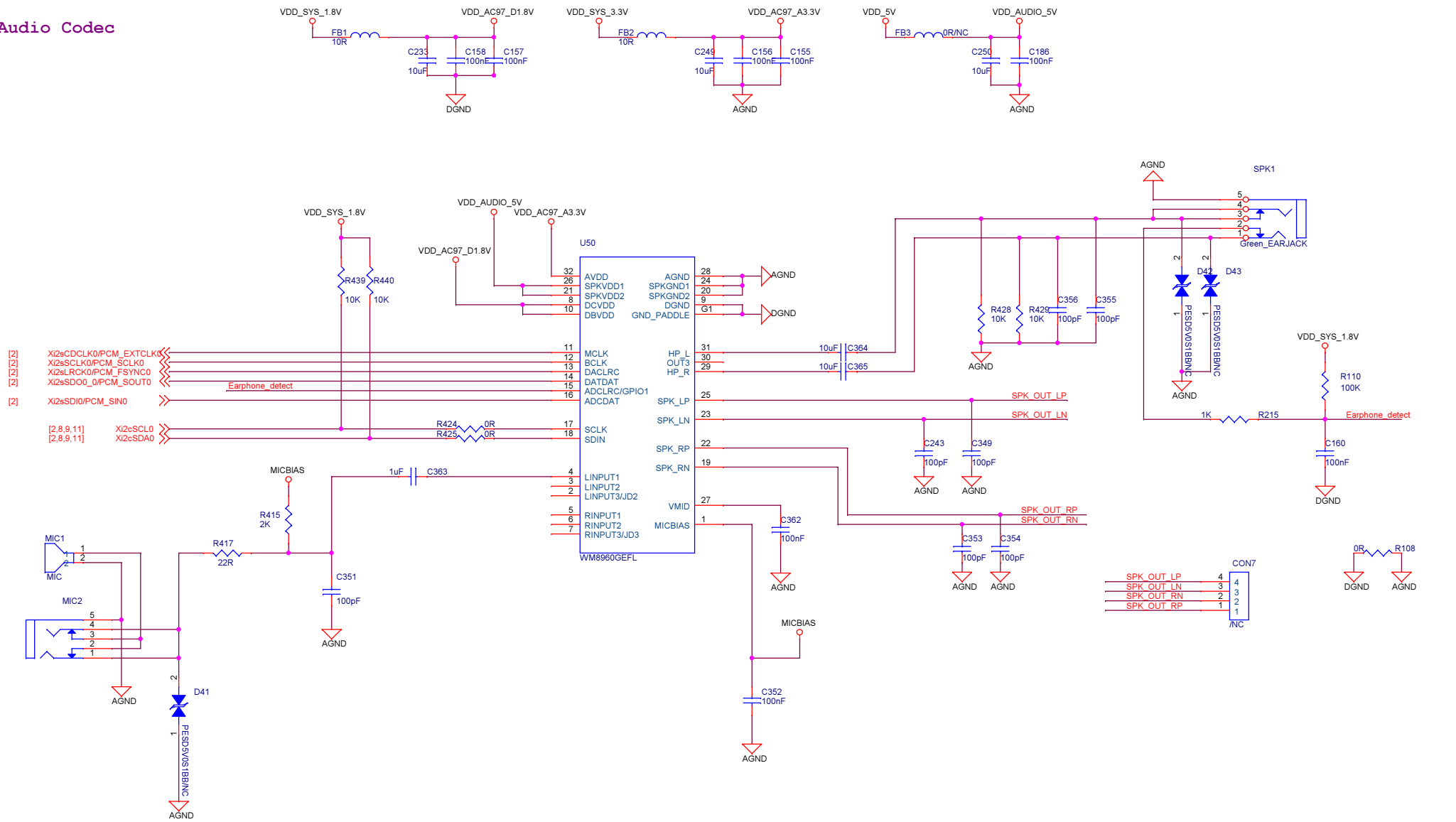


# 10/100M Ethnet



Title		
Size A3	Document Number <Doc>	Rev <RevCod>
Date: Monday, July 13, 2015	Sheet 5 of 12	

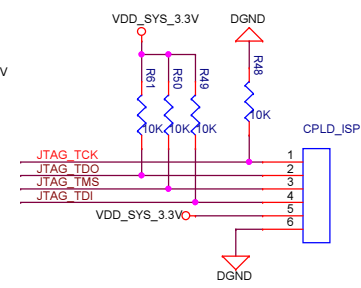
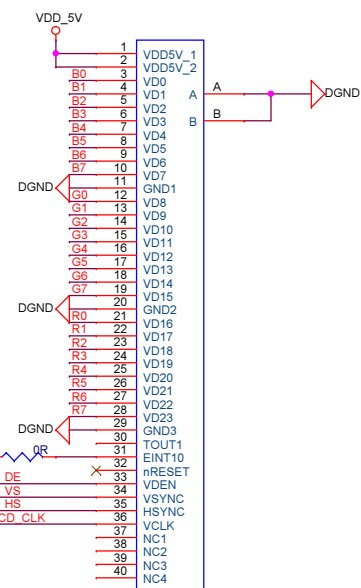
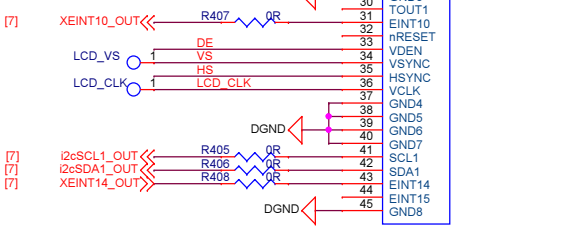
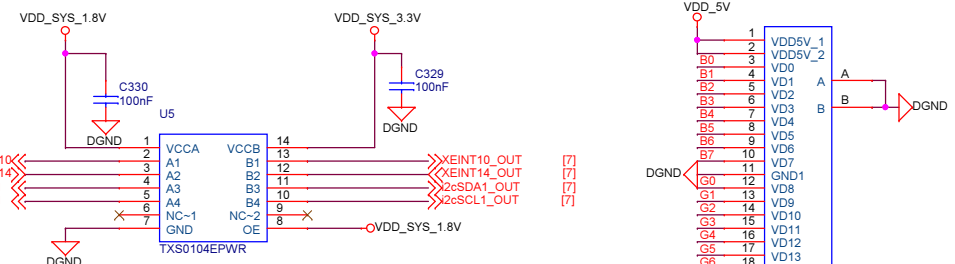
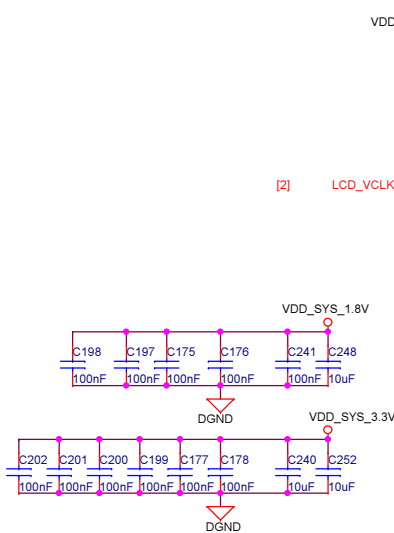
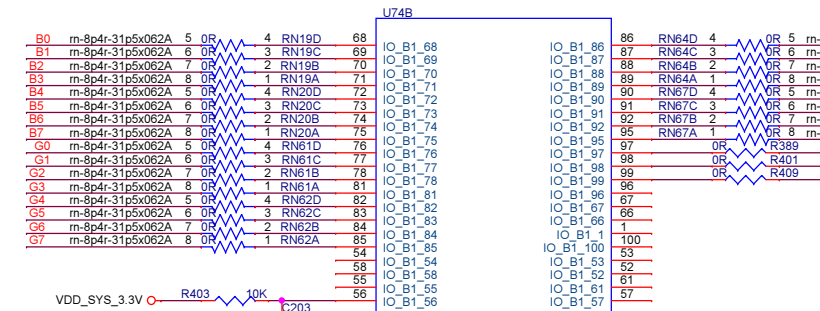
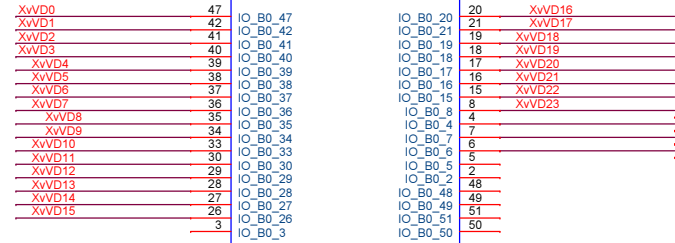
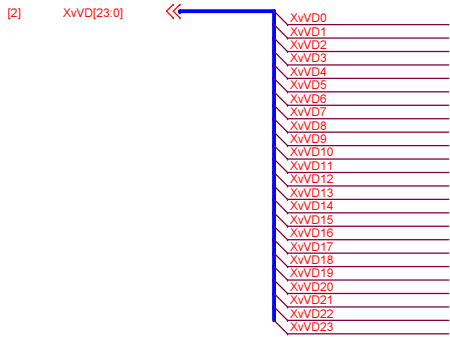
# Audio Codec



Title		
Size	Document Number	Rev
A3	<Doc>	2
Date:	Monday, July 13, 2015	Sheet 6 of 12

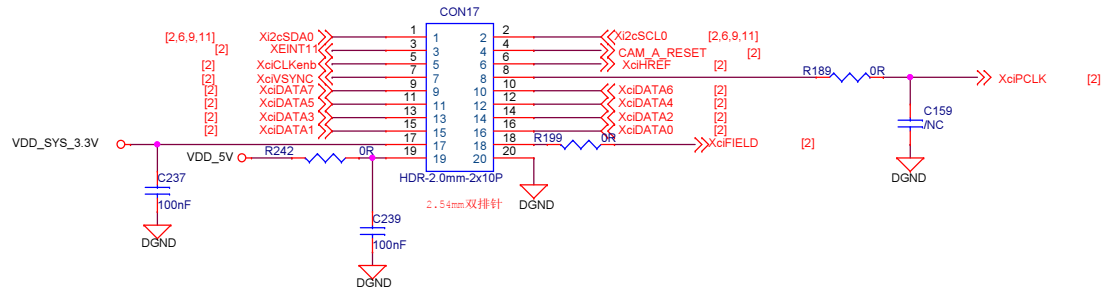
RGB LCDIF

ALTERA EPM240T100 translates 1.8V LCD signal to 3.3V level.

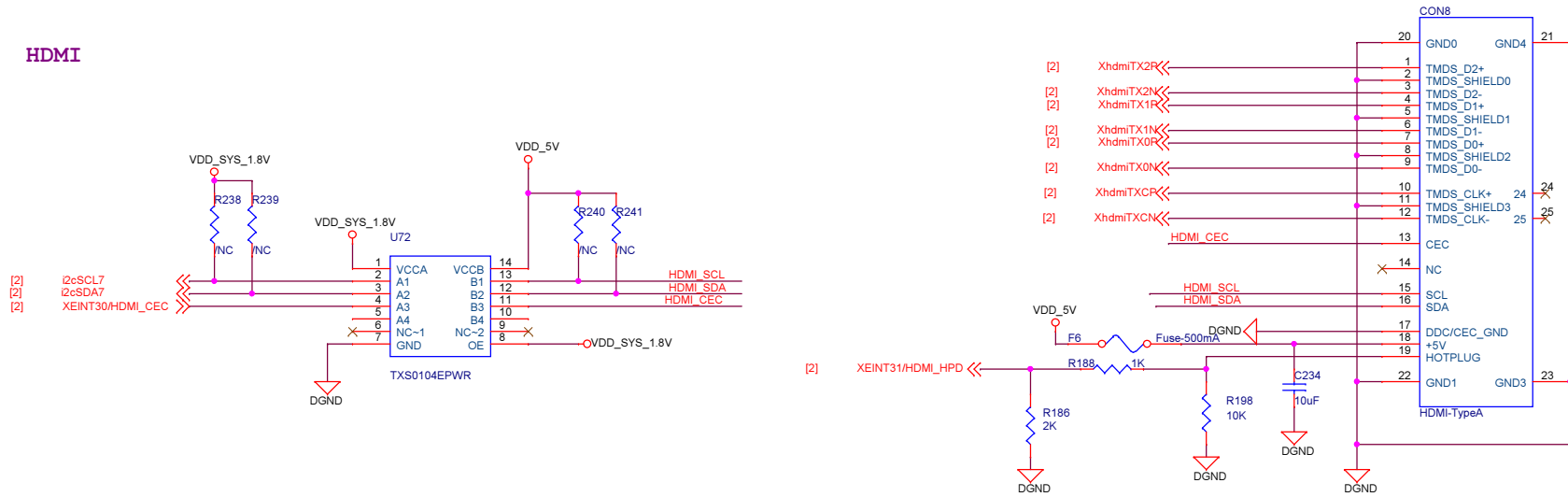


Title		
Size A3	Document Number <Doc>	Rev <Rev>
Date: Monday, July 13, 2015	Sheet 7 of 12	

# DVP Camera IF



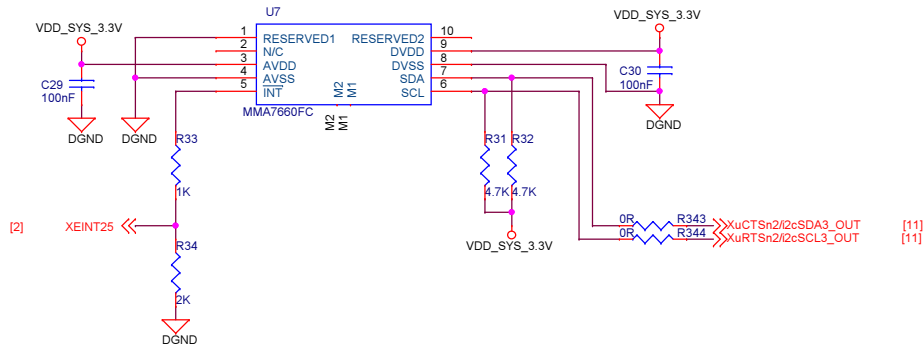
# HDMI



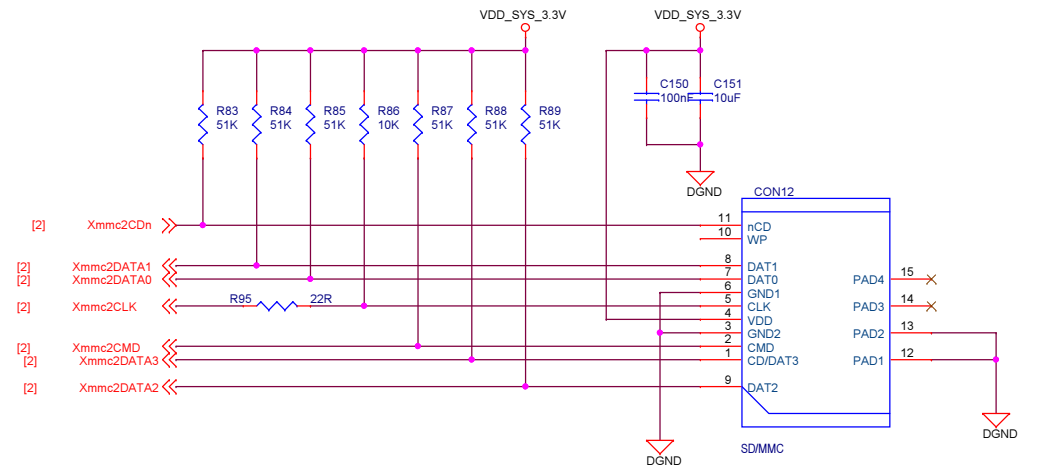
Title		
Size A3	Document Number <Doc>	Rev <Rev Code>
Date Monday, July 13, 2015	Sheet 8	of 12



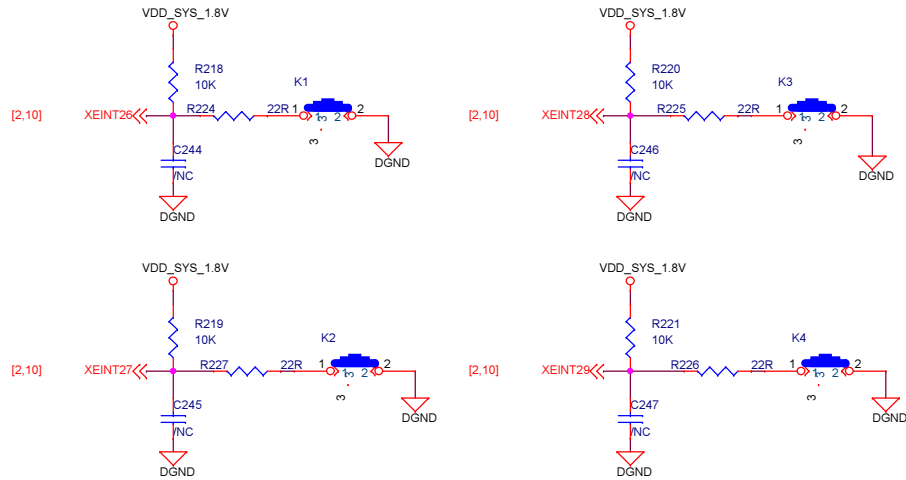
### 3-Axis Accelerometer



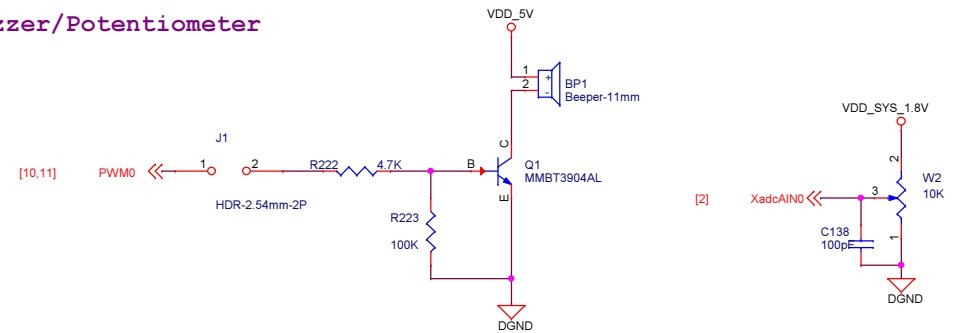
### SDcard



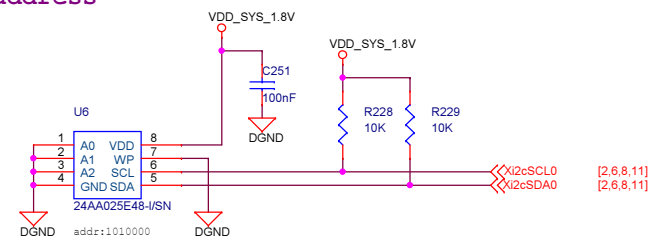
### User Buttons



### Buzzer/Potentiometer

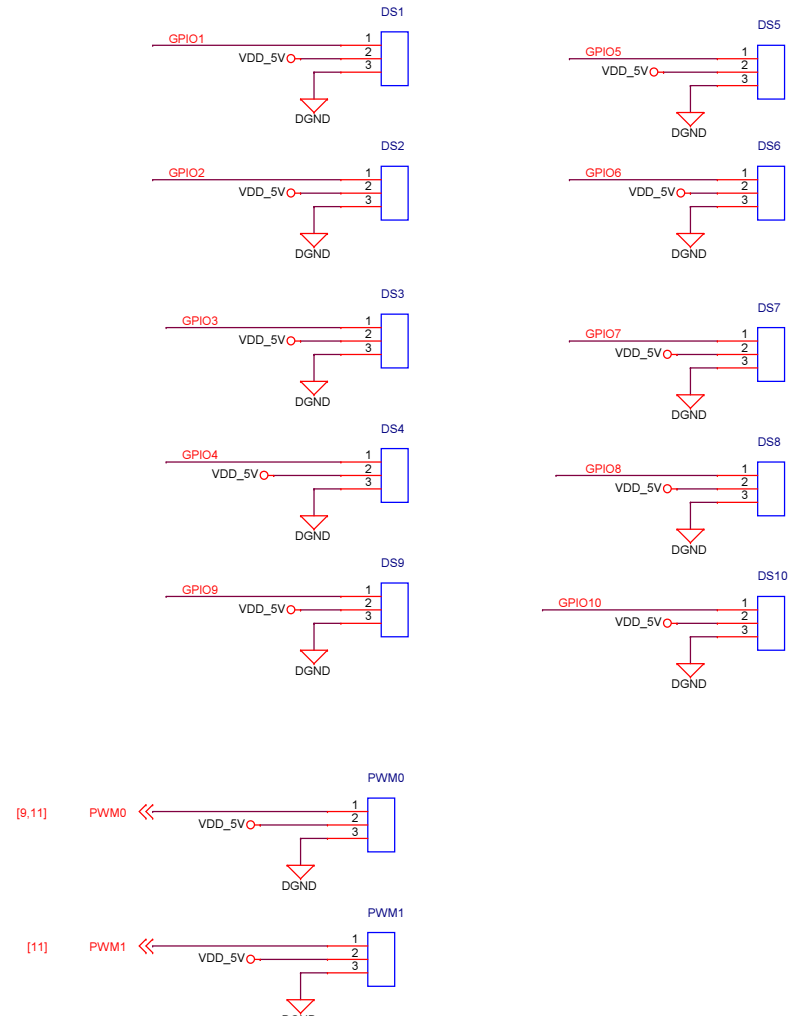
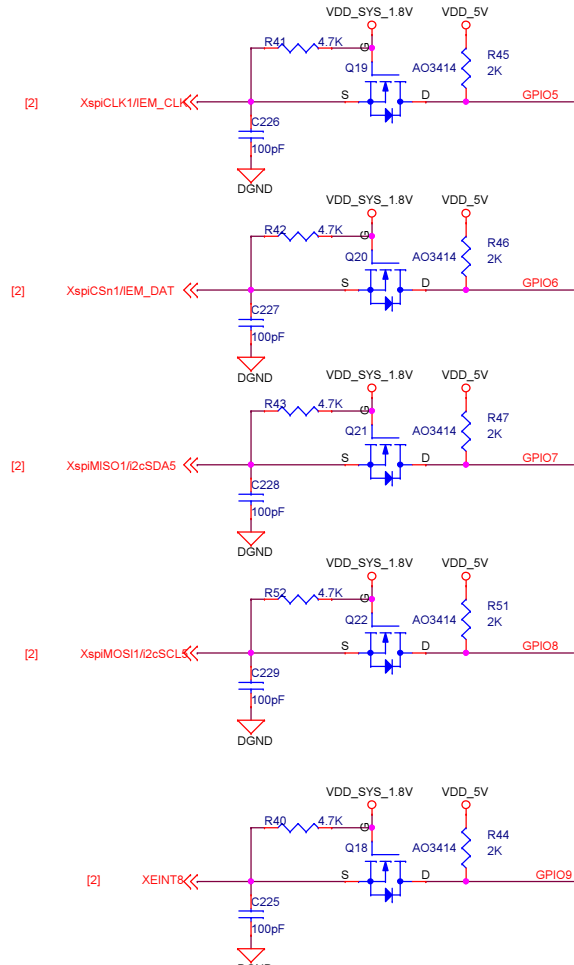
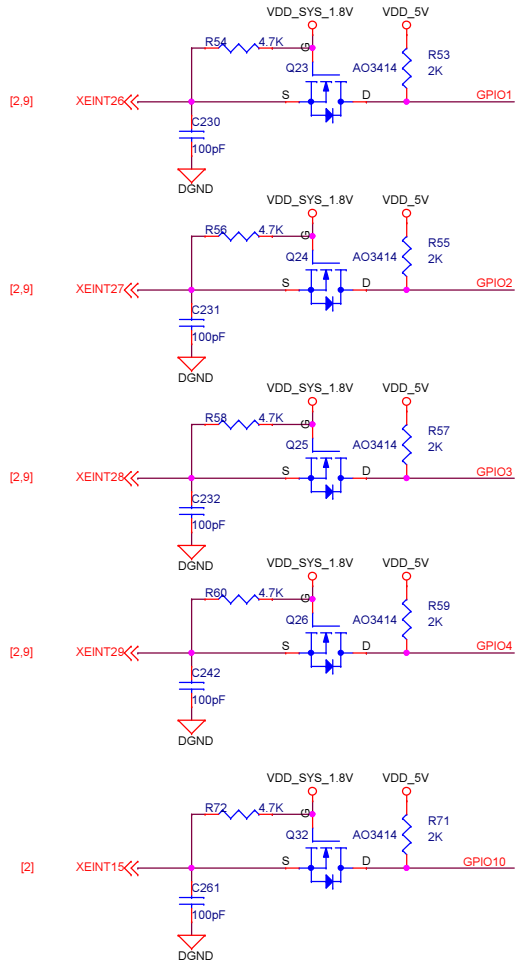


### EEPROM with MAC address



Title		
Size A3	Document Number	Rev
Date: Monday, July 13, 2015	Sheet 9	of 12

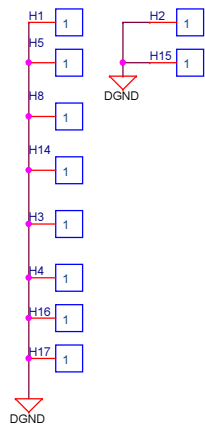
GPIOs/PWMs



Title		
Size A3	Document Number <Doc>	Rev <Rev>
Date: Monday, July 13, 2015	Sheet 10 of 12	



# Holes



Title		
Size A3	Document Number ID Mark/Fixed Hold	Rev
Date:	Monday, July 13, 2015	Sheet 12 of 12