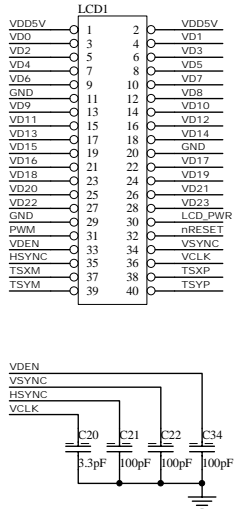
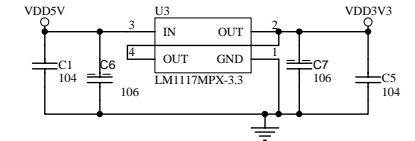
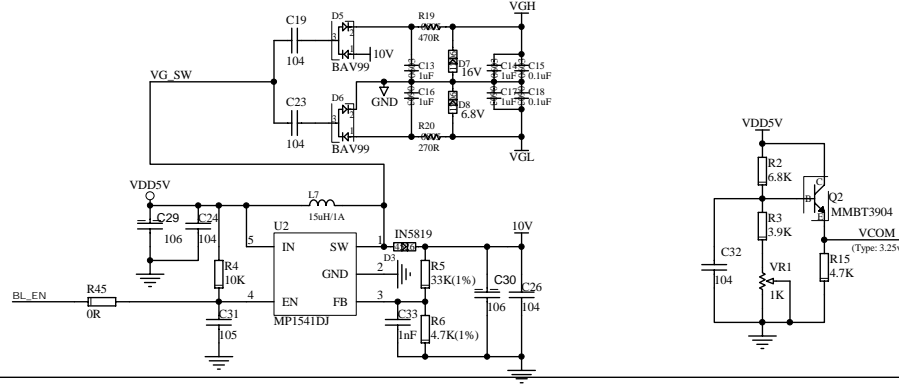
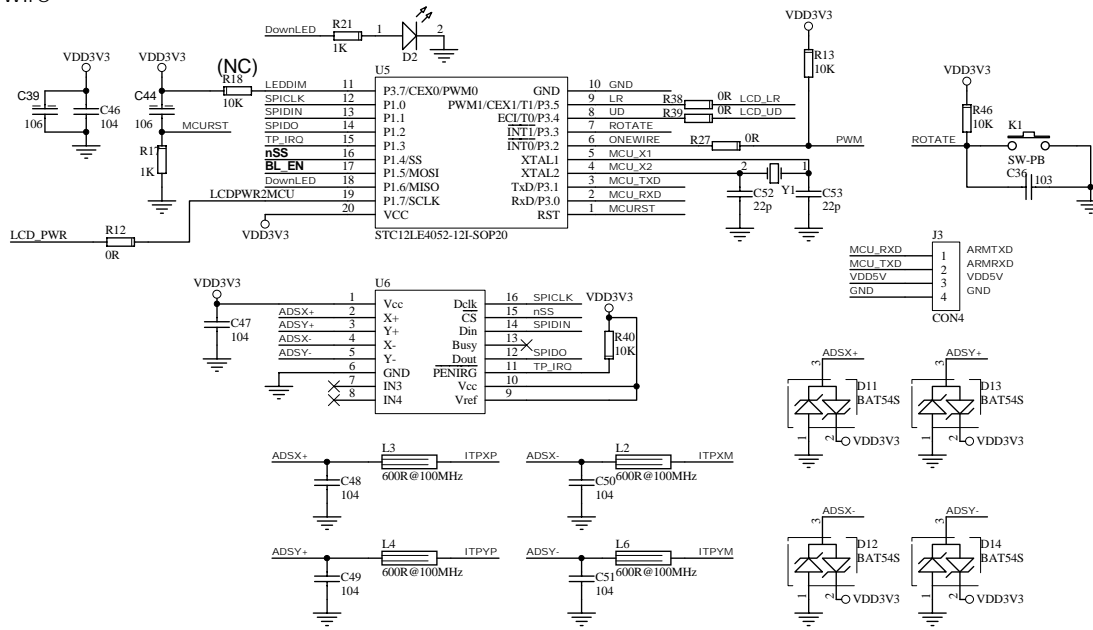


VCOM-VGH-VGL

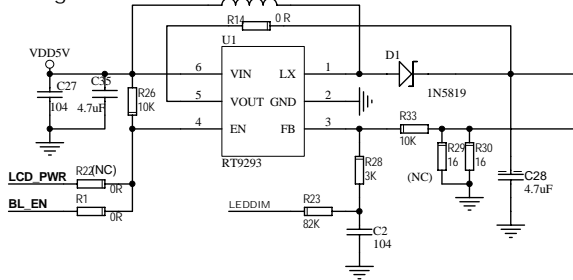


1-Wire

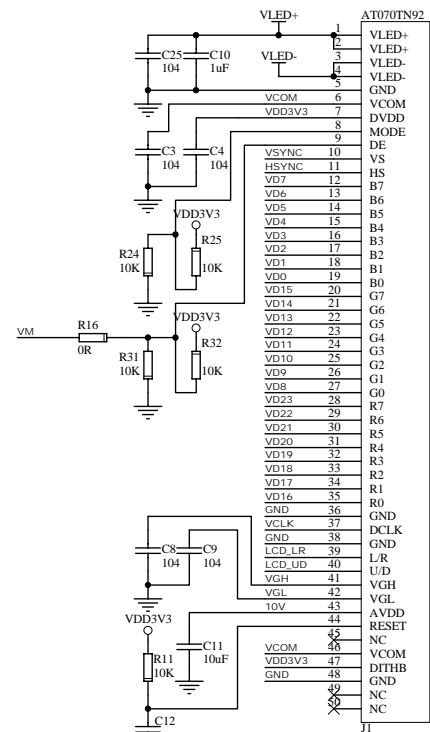
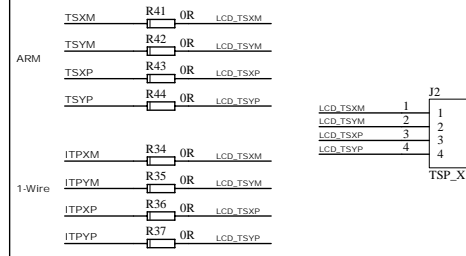


Note: If you dont want to use 1-wire, please remove the components in this block, and add the components in top-left block.

Back Light



TouchScreen



S70-1146